



Forged Globe Valves
Fig. G800 Class 800
Size ½" – 2" (DN 15 – 50)

PDS – JC-G800 Rev.0



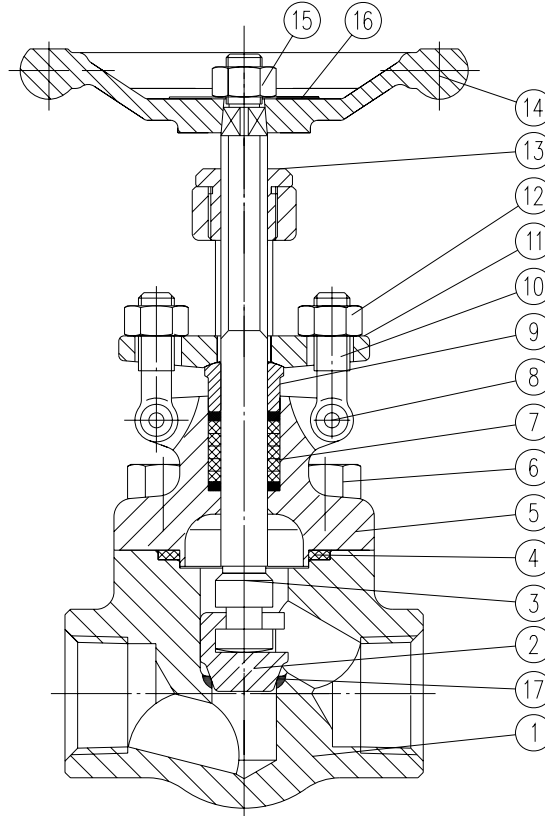
FIG. G800

GLOBE VALVE

BS 5352, ASME B16.34
Connections according to:
ANSI B 1.20.1 (NPT)
ANSI B 16.11 (SW)



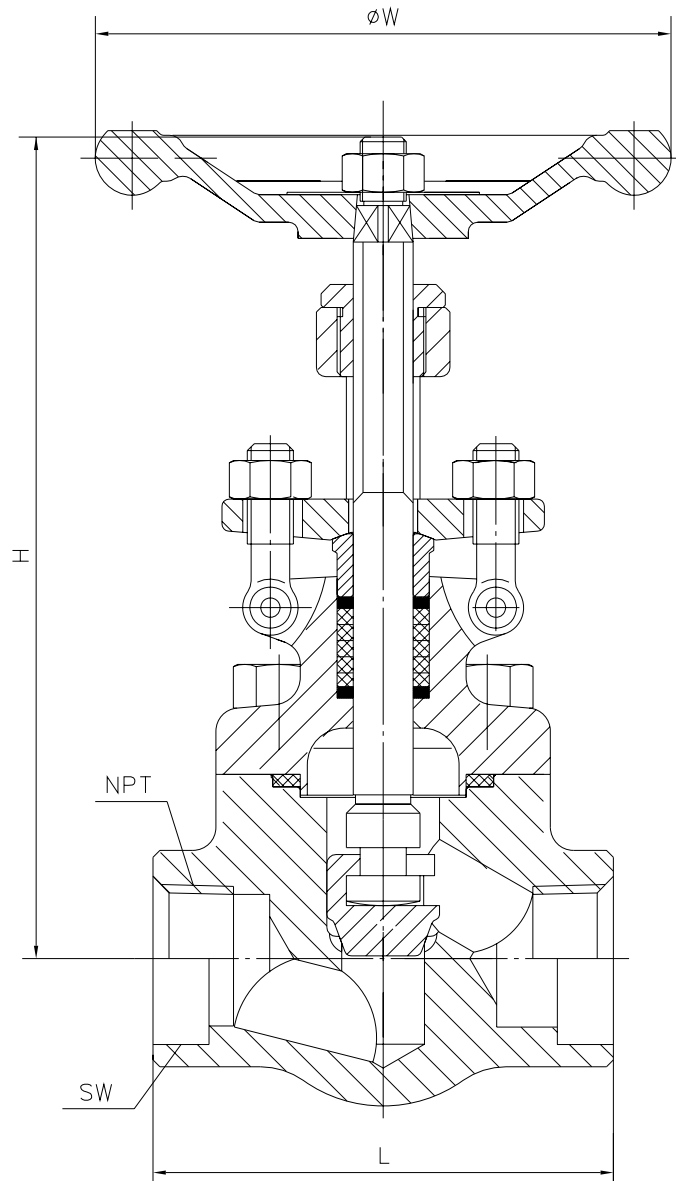
Parts and materials



Item	Description	Material	
		Carbon Steel	Stainless Steel
1	Body	A 105	A 182 F316L
2	Disc	AISI 420	A 182 F316L
3	Stem	AISI 410	A 182 F316L
4	Gasket	AISI 304 + Graphite	AISI 316 + Graphite
5	Bonnet	A 105	A 182 F316L
6	Bolt	A 193 B7	A 193 B8M
7	Packing	Flexible Graphite + Carbon Fibre	
8	Pin	AISI 420	AISI 304
9	Packing Gland	AISI 420	AISI 316L
10	Eye Bolt	A 193 B8	A 193 B8M
11	Gland Flange	A 105	A 182 F316L
12	Hex Nut	A 194 8	A 194 8M
13	Yoke Nut	AISI 410	
14	Hand wheel	A 197	
15	Hex Nut	1035 Zinc Plated	
16	Nameplate	Aluminium	
17	Seat	A 105 + STL	A 182 F316L + STL



Forged Globe Valves Fig. G800 Class 800 Dimensions



Dimensions

SIZE	L	NPT	ϕW	H
1/2" (DN 15)	73	1/2"	100	155
3/4" (DN 20)	80	3/4"	100	160
1" (DN 25)	100	1"	125	198
1 1/4" (DN 32)	114	1 1/4"	160	217
1 1/2" (DN 40)	145	1 1/2"	160	235
2" (DN 50)	160	2"	180	278

(*) Dimensions in mm.



Forged Globe Valves Class 800

General Characteristics, P&T Rating

GENERAL CHARACTERISTICS	Forged Globe Valve		
DESIGN STANDARDS			
Valves design	BS 5352	ASME B16.34	
Connections	ANSI B 1.20.1	ANSI B 16.11	
Face to face dimensions	Manufacturer's standard		
TESTS AND CERTIFICATES			
Quality Assurance	API 598		
	ISO 9001		
Pressure testing	EN 12266-1		
Marking	EN 19		

Pressure-Temperature

