



Forged Globe Valves
Fig. GF 300 - Class 300
Size ½" – 2" (DN 15 – 50)



FIG. GF 300

GLOBE VALVE

BS 5352, ASME B16.34
Connections according to:
ASME B16.5
ASME B16.25



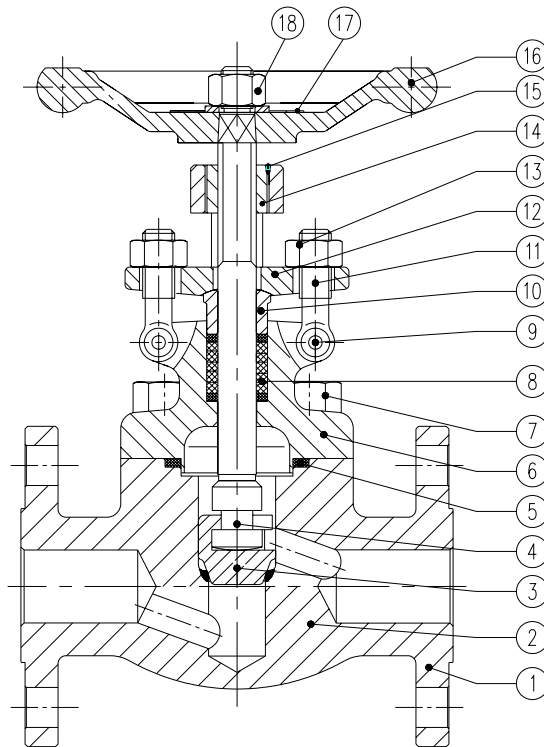


Forged Globe Valves

Fig. GF 300 - Class 300

Parts and Materials

Parts and materials



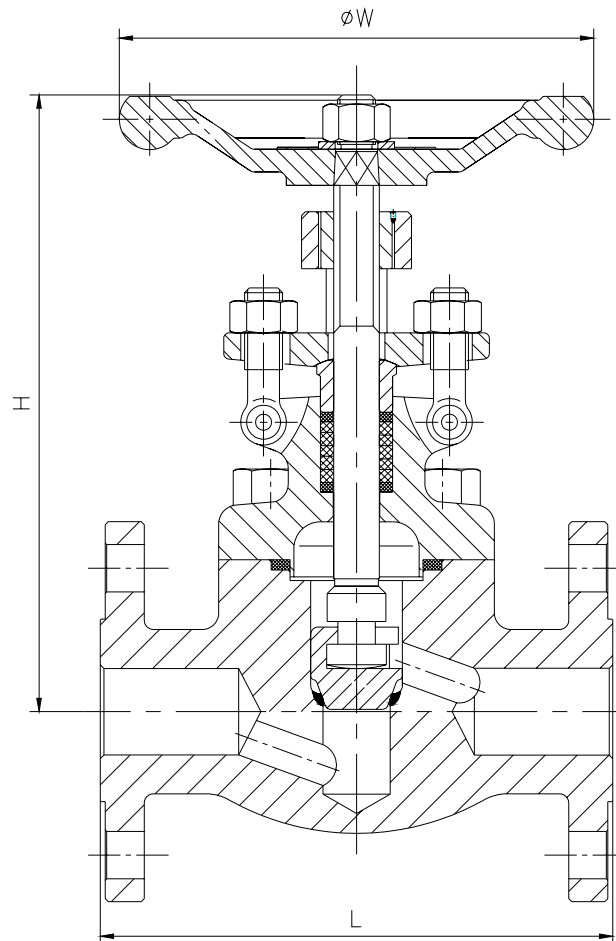
Item	Description	Material	
		Carbon Steel	Stainless Steel
1	Welding flange	A 105	A 182 F316L
2	Body	A 105	A 182 F316L
3	Disc	AISI 420	A 182 F316L
4	Stem	AISI 410	A 182 F316L
5	Gasket	AISI 304 + Graphite	AISI 316 + Graphite
6	Bonnet	A 105	A 182 F316L
7	Bolt	A 193 B7	A 193 B8M
8	Packing	Flexible Graphite and steels steel w wire braided	
9	Pin	AISI 420	AISI 316L
10	Packing Gland	AISI 420	AISI 316L
11	Eye Bolt	A 193 B7	A 193 B8M
12	Gland Flange	A 105	A 182 F316L
13	Hex Nut	A 194 2H	A 194 8M
14	Yoke Nut	AISI 410	
15	Screw	A194 2H	
16	Handw heel	Ductile iron	
17	Nameplate	304SS	
18	Hex Nut	1035 Zinc Plated	



Forged Globe Valves

Fig. GF 300 - Class 300

Dimensions



Dimensions

SIZE	L	H	øW	WT
½" (DN 15)	152	158	100	4.8
¾" (DN 20)	178	163	100	7.7
1" (DN 25)	203	193	125	11.1
1¼" (DN 32)	216	250	160	16.8
1½" (DN 40)	229	250	160	21.2
2" (DN 50)	267	291	180	32.6

(*) Dimensions in mm.



Forged Globe Valves

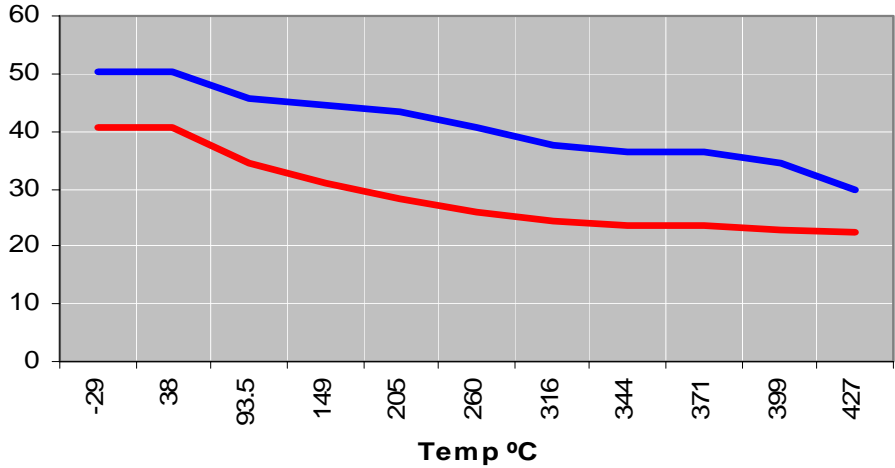
Fig. GF 300 - Class 300

General Characteristics, P&T Rating

GENERAL CHARACTERISTICS	Forged Globe Valve		
DESIGN STANDARDS			
Valves design	BS 5352	ASME B16.34	
Connections	ASME B16.5	ASME B16.25	
Face to face dimensions	ASME B16.10		
TESTS AND CERTIFICATES	API 598		
Quality Assurance	ISO 9001		
Pressure testing	EN 12266-1		
Marking	EN 19		

Pressure-Temperature

P Bar



MATERIAL
 — A 105
 — A 182 F316L